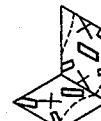


EXPLANATION



Quartz-lath spodumene
pegmatite, very coarse
grained (core)



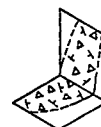
Quartz-euhedral perthite
pegmatite, very coarse grained
(inner intermediate zone)



Perthite-albite-quartz-
spodumene-muscovite pegmatite,
medium to coarse grained
(middle intermediate zone)



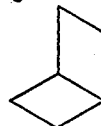
Perthite-quartz-albite
muscovite pegmatite, medium
to coarse grained (outer
intermediate zone)



Perthite-quartz-albite-schorl-
muscovite pegmatite, medium
grained (wall zone)



Perthite-albite-quartz-schorl-
muscovite pegmatite, fine to
medium grained (border zone)



Feldspathic hornblende
gneiss, fine grained

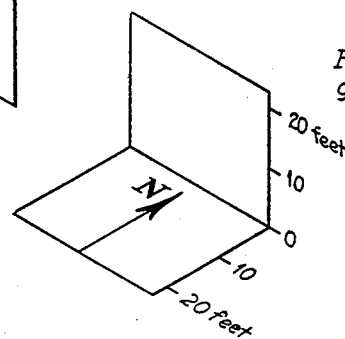


Plate XIX.—Isometric plate diagram of the Lower Jumbo pegmatite body, showing distribution of pegmatite zones as interpreted from surface exposures and exploratory drill holes.